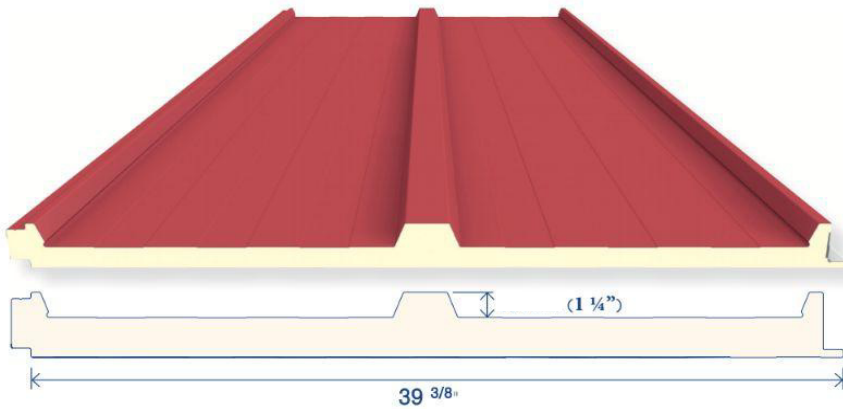




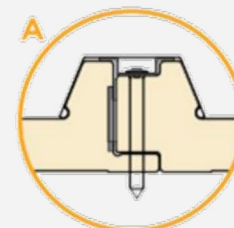
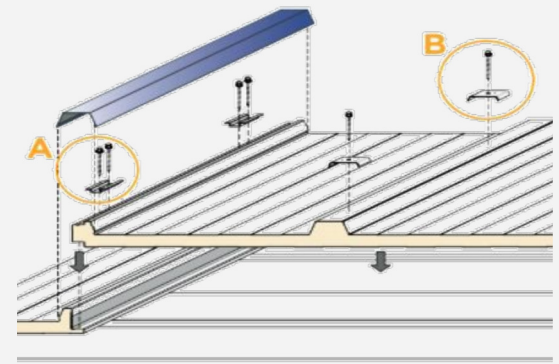
ALLIED INSULATED PANELS

PRODUCT DATA SHEET

ROOF PANELS



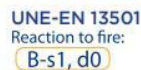
TECHNICAL SPECIFICATIONS						
Panel Thickness	1.5"	2"	2.5"	3"	4"	5"
U - Value	.087	.070	.058	.043	.034	.028
R - Value	11	14	17	23	29	35
Useable width	39 3/8 inches					
Length	Up to 39 ft.					
Metal facings	GAUGE 26 / 24 / 22					
	G-90 galvanized or AZ50 aluminum-zinc					
Coatings	Polyester, PVDF (other coatings available)					
Outer surface	Three ribs					
Inner surface	Standard / Flat					
Type of core	Polyisocyanurate (PIR) 2.3 PCF Density					
TEST	TEST METHOD					
Fire	ASTM E 84					
Permeability	ASTM E 2140					
Strength	ASTM E 8					
Wind Uplift	ASTM E 1592 FM4471					



SEAM PLATE



BEARING PLATE



1.800.599.3905



alliedinsulatedpanels.com